



Main

Range of product	Modicon Momentum automation platform
Product or component type	Discrete solid state I/O base DC
Group of channels	2 groups of 8 outputs 1 group of 16 inputs
Discrete input number	16 conforming to IEC 1131-2 Type 1
Discrete input logic	Positive
Discrete input voltage	24 V DC
Discrete output number	16
Discrete output type	Solid state switch
Discrete output voltage	<= 30 V DC 24 V DC
Discrete output logic	Positive
Protective treatment	TC

Complementary

[Us] rated supply voltage	24 V DC
Input voltage limits	- 3...30 V
Voltage state 0 guaranteed	-3...5 V
Voltage state 1 guaranteed	11...30 V
Current state 0 guaranteed	<= 1.2 mA
Current state 1 guaranteed	>= 2.5 mA
Input resistance	4 kOhm
Discrete output current	4 A per group 8 A per module 0.5 A per point
Maximum leakage current	1 mA at 24 V (output circuit)
Peak output current	5 A
Maximum voltage drop	<0.5 V 0.5 A at state 1 output circuit
Fault type	Overload on output
Response time	< 0.1 ms from state 0 to state 1 on output < 0.1 ms from state 1 to state 0 on output 2.2 ms from state 0 to state 1 on input 3.3 ms from state 1 to state 0 on input
Isolation between channels and bus	500 V AC
Power dissipation	6 W <= 8 W
Marking	CE

The information provided in this documentation contains general descriptions and/or technical characteristics of the performance of the products contained herein. This documentation is not intended as a substitute for and is not to be used for determining suitability or reliability of these products for specific user applications. It is the duty of any such user or integrator to perform the appropriate and complete risk analysis, evaluation and testing of the products with respect to the relevant specific application or use thereof. Neither Schneider Electric Industries SAS nor any of its affiliates or subsidiaries shall be responsible or liable for misuse of the information contained herein.

Terminals description PLC n°1	(L+)PW_POS (8)IN_DIS#8 (6)IN_DIS#6 (5)IN_DIS#5 TB (2)IN_DIS#2 (12)IN_DIS#12 (M-)PW_NEG (15)IN_DIS#15 (13)IN_DIS#13 (10)IN_DIS#10 (3)IN_DIS#3 (9)IN_DIS#9 (7)IN_DIS#7 (1)IN_DIS#1 (11)IN_DIS#11 (14)IN_DIS#14 (16)IN_DIS#16 (4)IN_DIS#4
-------------------------------	--

Terminals description PLC n°2	(10)OUT_DIS#10 (6)OUT_DIS#6 (8)OUT_DIS#8 (1)OUT_DIS#1 (11)OUT_DIS#11 (4)OUT_DIS#4 (5)OUT_DIS#5 (15)OUT_DIS#15 (2L+)PW_POS TB_1 (7)OUT_DIS#7 (2)OUT_DIS#2 (14)OUT_DIS#14 (9)OUT_DIS#9 (13)OUT_DIS#13 (3)OUT_DIS#3 (1L+)PW_POS (12)OUT_DIS#12
-------------------------------	--

Local signalling	16 LEDs for channel status
Current consumption	250 mA at 24 V DC
Depth	47.5 mm
Height	141.5 mm
Width	125 mm
Net weight	0.2 kg

Environment

Product certifications	UL[RETURN]CSA
Resistance to electrostatic discharge	4 kV contact conforming to IEC 801-2 8 kV on air conforming to IEC 801-2
Resistance to electromagnetic fields	10 V/m 80...1000 MHz conforming to IEC 801-3
Ambient air temperature for operation	0...60 °C
Ambient air temperature for storage	-40...85 °C
Relative humidity	95 % without condensation
Operating altitude	<= 5000 m

Packing Units

Unit Type of Package 1	PCE
Number of Units in Package 1	1
Package 1 Height	5.8 cm
Package 1 Width	18.0 cm
Package 1 Length	25.8 cm
Package 1 Weight	392.0 g
Unit Type of Package 2	S03
Number of Units in Package 2	10
Package 2 Height	30 cm
Package 2 Width	30 cm
Package 2 Length	40 cm

Package 2 Weight	4.407 kg
Unit Type of Package 3	P06
Number of Units in Package 3	80
Package 3 Height	75.0 cm
Package 3 Width	60.0 cm
Package 3 Length	80.0 cm
Package 3 Weight	46 kg

Offer Sustainability

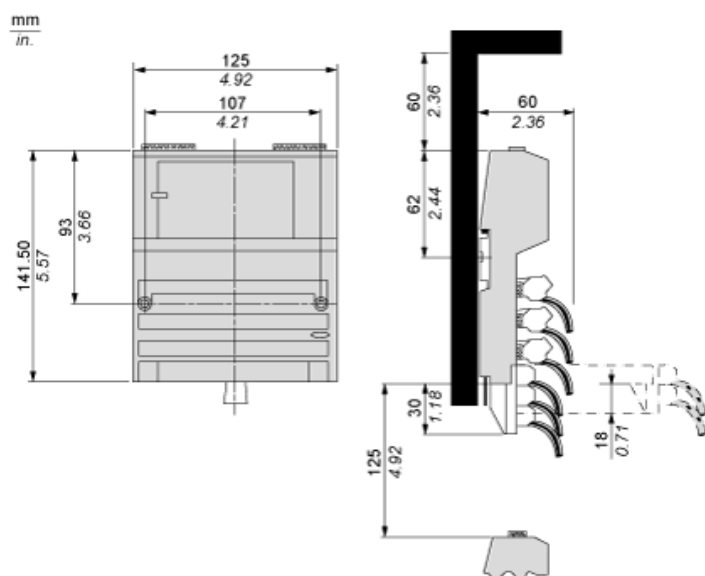
Sustainable offer status	Green Premium product
REACH Regulation	REACH Declaration
EU RoHS Directive	Pro-active compliance (Product out of EU RoHS legal scope)
Mercury free	Yes
China RoHS Regulation	China RoHS Declaration
RoHS exemption information	Yes
Environmental Disclosure	Product Environmental Profile
Circularity Profile	End Of Life Information
WEEE	The product must be disposed on European Union markets following specific waste collection and never end up in rubbish bins

Contractual warranty

Warranty	18 months
----------	-----------

Standard Adapter on a Typical Base

Dimensions

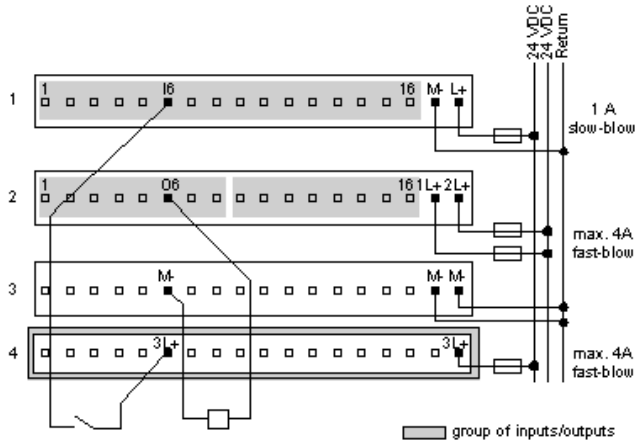


Mounting on a Wall

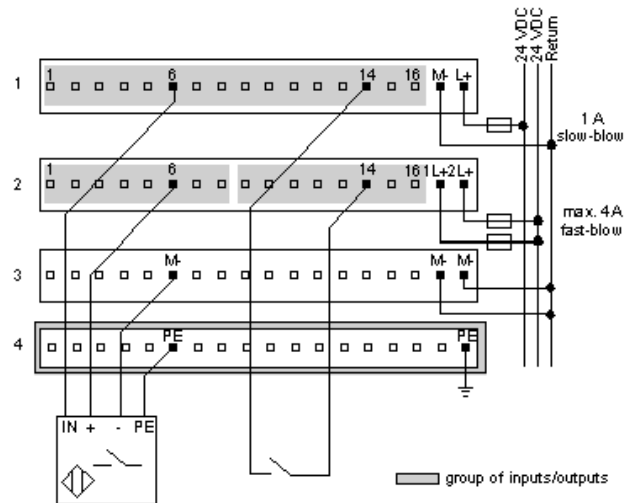


External Wiring Diagrams

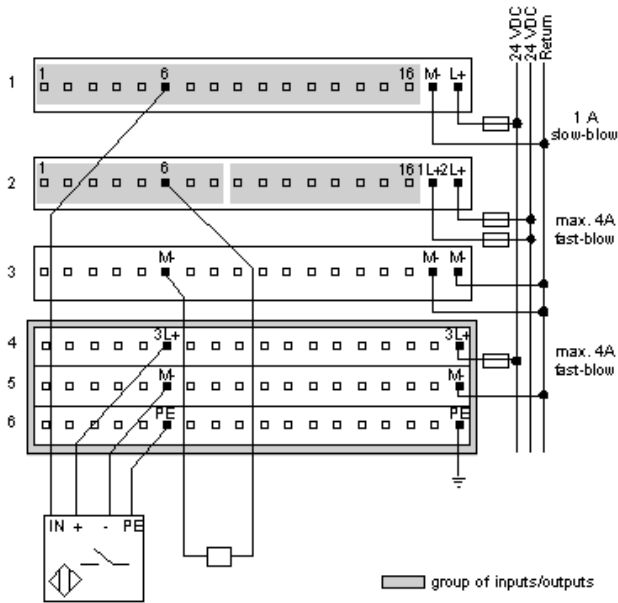
2-Wire Devices



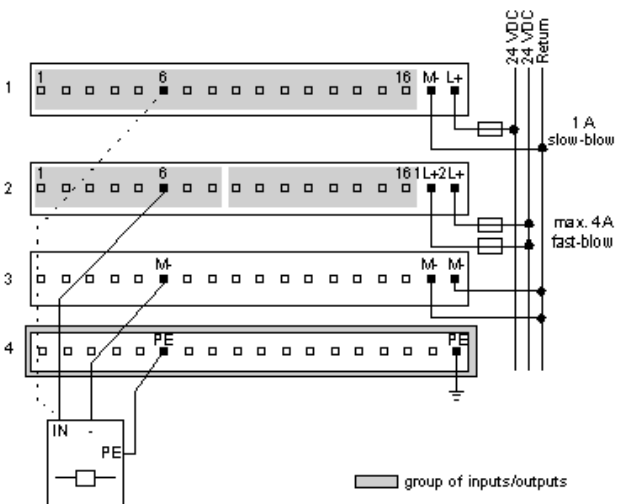
Sensor Activated by Output



Four-Wire Sensor with a Two-Wire Actuator



Broken Wire Detection



Internal Pin Connections

Rows 1 through 3 show the internal connections between terminals on the I/O base. Rows 4 through 6 show the internal connections on the optional busbar.

